


Stainless steel canister holder



ideal for the food and beverage industry
- nearly unbreakable
- applicatory & solid

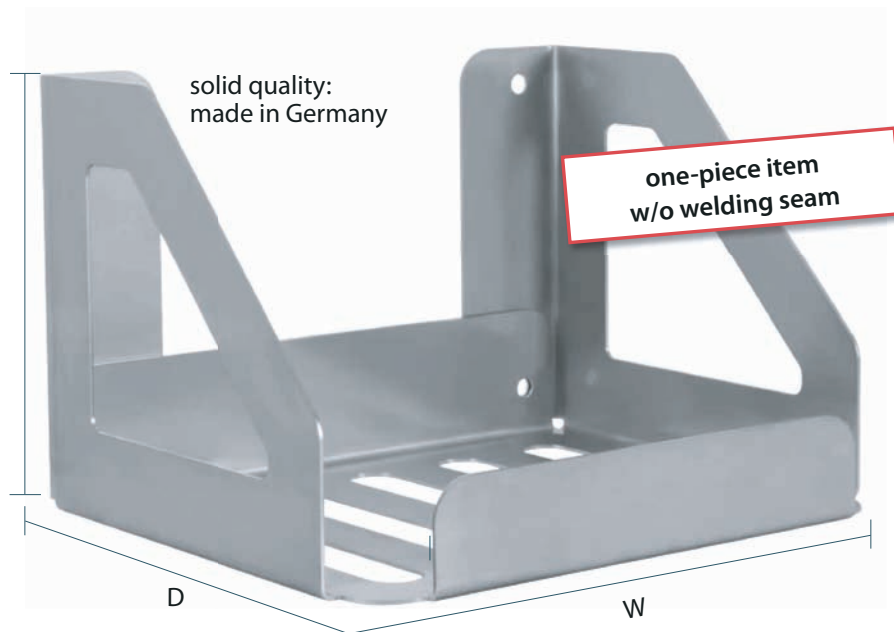
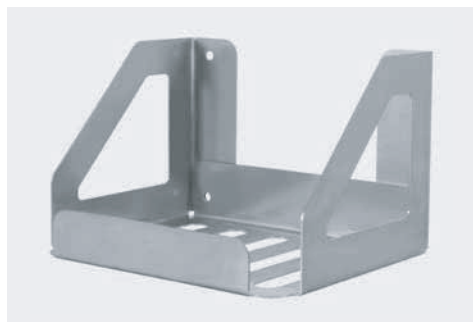
stainless steel


 suitable for the food industry

Solid canister holder

- Material: made out of stainless steel
- Optimal sizes:
type 1: suitable for 5,10 or 12 liter canister
type 2: suitable for 20 or 25 liter canister
- Mounting holes 8.5 mm
- One-piece item
- High loading capacity by solid quality
- Open space for placing the canister, thus ensuring an unhindered discharge of spilled liquids
- Strength of material: 1.5 mm

available in 2 sizes



R+M Nr.	H x W x D	
105 000 001	160 x 250 x 210	1.2 kg
105 000 002	200 x 285 x 310	2.0 kg