

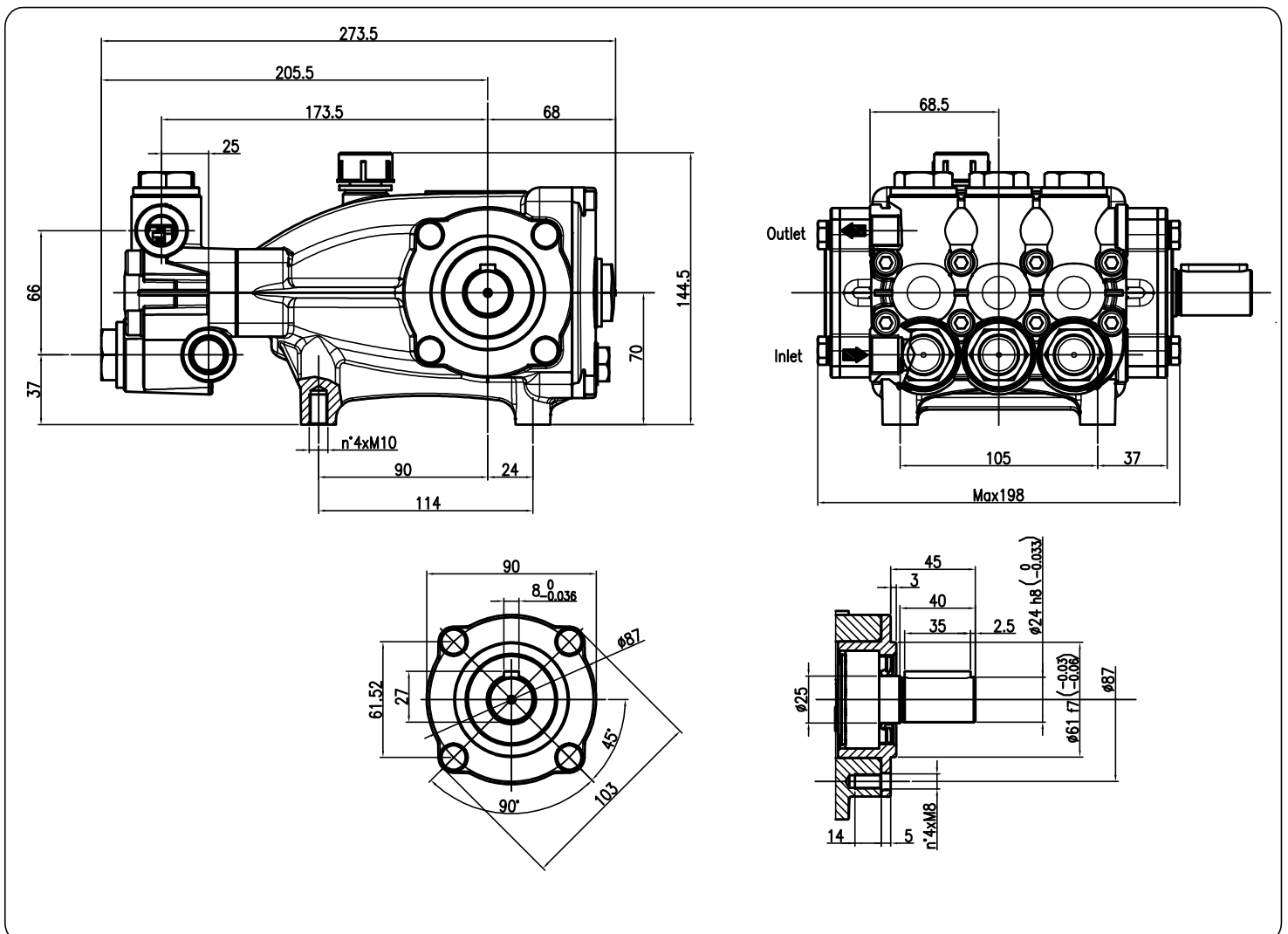
NMT1220SC WR/L  
 NMT1520SC WR/L  
 NMT1220C WR/L  
 NMT1520C WR/L  
 NMT1820C WR/L  
 NMT2120C WR/L

*Hawk*  
*Pompe NMT CAR WASH serie 2011*  
*NMT CAR WASH pumps 2011 series*

Pump Pompe Pumpen Pompa	Pressure Pression Druck Pressione		Volume Débit Leistung Portata		RPM tours/min u.p.m. giri/min	Required HP Puissance HP Leistung HP Potenza HP	Inlet port Entrée Eingang Aspirazione	Outlet Sortie Ausgang Mandata	Weight Kg Poids Kg Gewicht Kg Peso Kg
	bar	PSI	l/min	GPM					
NMT1220SCWR/L	200	3000	12.5	3.3	1000	6.4	G 1/2	G 3/8	9.5
			15.0	4.0	1200	7.7			
NMT1520SCWR/L	200	3000	15.0	4.0	1000	7.7	G 1/2	G 3/8	9.5
			18.0	4.8	1200	9.2			
NMT1220CWR/L	200	3000	12.5	3.3	1450	6.4	G 1/2	G 3/8	9.5
			15.0	4.0	1740	7.7			
NMT1520CWR/L	200	3000	15.0	4.0	1450	7.7	G 1/2	G 3/8	9.5
			18.0	4.8	1740	9.2			
NMT1820CWR/L	200	3000	18.0	4.8	1450	9.2	G 1/2	G 3/8	9.5
			21.4	5.6	1740	11.0			
NMT2120CWR/L	200	3000	21.0	5.5	1450	10.7	G 1/2	G 3/8	9.5
			25.0	6.6	1740	12.8			

Dimensioni d' ingombro

Overall dimensions



Lubrificazione: Olio SAE 20/40W  
Capacità 0.7 litri

Lubrication: SAE 20/40W Oil  
Capacity 0.7 liters

**PARTS LIST**

**NMT CAR WASH pumps 2011 series**



Item	Part Number	Description	Q.ty by Pump	NMT1220SCWR/L	NMT1520SCWR/L	NMT1220CWR/L	NMT1520CWR/L	NMT1820CWR/L	NMT2120CWR/L
1	0202.95	Crankcase	1						
*2	0001.03	Plunger oil seal	3						
*3	0601.07	"O" Ring Ø1.78x31.47	3						
*4	1201.37	Pressure ring 20mm	3						
*5	0002.52	Low pressure "U" seal, dia.20mm	3						
*6	0300.60	Intermed. ring 20mm	3						
*7	0002.76	High pressure "U" seal, dia.20mm	3						
*8	0603.07	Copper washer G1/2	1						
*9	1601.71	Brass plug G1/2 nickel plated	1						
*10	1602.44	Manifold housing nickel plated	1						
*11	0601.19	"O" Ring Ø2.62x17.13	6						
*12	3604.70	Valve assembly	6						
*13	0601.65	"O" Ring Ø2.62x20.29	6						
*14	1601.70	Valve plug nickel plated	6	◆	◆	◆	◆	◆	◆
15	1801.03	Manifold stud bolt M8x65 Dacromet	8						
16	1400.01	Washer Ø8,5	16						
*17	0603.06	Copper washer G3/8	1						
*18	1601.72	Brass plug G3/8 nickel plated	2						
19	1503.18	Valve seat	6						
20	1202.00	Valve plate	6						
21	0900.30	Valve spring	6						
22	0604.05	Valve cage	6						
23	1802.03	Hexagonal screw M8x18	8						
24	0500.61	Closed bearing housing	1						
25	0601.63	"O" Ring Ø1.78x60.05	2						
26	0200.06	Roller bearing 33205	2						
27	0006.17	Single - ended shaft	1	◆				◆	
	0006.19	Single - ended shaft	1		◆				
	0006.14	Single - ended shaft	1			◆			
	0006.16	Single - ended shaft	1				◆		
	0006.18	Single - ended shaft	1						◆
28	0206.04	Crankshaft key	1						
29	1600.02	Oil dip stick	1						
30	0001.02	Crankshaft seal	1						
31	0301.02	Shim	1						
32	0500.60	Bearing housing	1						
*33	0302.19	Plunger nut	3						
*34	1400.12	Copper spacer Ø 11.2/15x0.5	3						
*35	1200.10	Plunger 20mm	3						
*36	1400.15	Copper spacer Ø 11.3/24x0.5	3						
*37	0601.03	"O" Ring Ø1.78x7.66	3	◆	◆	◆	◆	◆	◆
*38	0009.04	Teflon ring	3						
*39	0003.28	Plunger rod	3						
*40	0100.01	Connecting rod	3						
*41	1502.06	Connecting rod pin	3						
*42	1401.02	Spring washer Ø6	6						
*43	1801.05	Connecting rod screw M6x25	6						
44	0601.88	"O" Ring Ø 2.62x126.67	1						
45	0203.59	Crankcase cover	1						
46	0601.14	"O" Ring Ø1.78x14	1						

## PARTS LIST

## NMT CAR WASH pumps 2011 series

Item	Part Number	Description	Q.ty by Pump	NMT1220CWR/L	NMT1520CWR/L	NMT1220CWR/L	NMT1520CWR/L	NMT1820CWR/L	NMT2120CWR/L
47	0700.05	Sight glass, G3/4	1						
48	1801.12	Screw M6x16	4	◆	◆	◆	◆	◆	◆
49	1601.17	Brass plug G3/8	1						

  Part available  
in kit only

  Part available  
in kit also

## SPARE PARTS KIT

Included Position	Part Number and Description	Q.ty by pump	NMT1220CWR/L	NMT1520CWR/L	NMT1220CWR/L	NMT1520CWR/L	NMT1820CWR/L	NMT2120CWR/L
3- 5- 7	2601.23 Plunger Seals 20 mm	1						
3- 4- 5- 6- 7	2601.24 Complete Seals Packing 20 mm	3						
33- 34- 35- 36- 37 38	2601.07 Plunger 20 mm	3						
11- 12- 13	2600.08 Complete Valve	6	◆	◆	◆	◆	◆	◆
2	2608.03 Plunger oil Seals	1						
3- 4- 5- 6- 7- 8- 9 10- 11- 12- 13- 14 17- 18	2600.96 Complete Manifold	1						
39- 40- 41- 42- 43	3100.13 Connecting Rod-Plunger Rod Assy	3						

Pos.	Codice	Descrizione	Q.tà per Pompa	NMT1220CWR/L	NMT1520CWR/L	NMT1220CWR/L	NMT1520CWR/L	NMT1820CWR/L	NMT2120CWR/L
1	0202.95	Carter	1						
*2	0001.03	Anello radiale	3						
*3	0601.07	"O" Ring Ø1.78x31.47	3						
*4	1201.37	Pressore "U" Ø20	3						
*5	0002.52	Anello tenuta "U" Ø20	3						
*6	0300.60	Diffusore Interm. Ø20	3						
*7	0002.76	Anello tenuta "U" Ø20	3						
*8	0603.07	Guarnizione rame	1						
*9	1601.71	Tappo G1/2 nichelato	1						
*10	1602.44	Testata nichelata	1						
*11	0601.19	"O" Ring Ø2.62x17.13	6						
*12	3604.70	Valvola premontata	6						
*13	0601.65	"O" Ring Ø2.62x20.29	6						
*14	1601.70	Tappo valvola nichelato	6	◆	◆	◆	◆	◆	◆
15	1801.03	Vite M8x65 Dacromet	8						
16	1400.01	Rosetta Ø8.5	16						
*17	0603.06	Guarnizione rame	1						
*18	1601.72	Tappo G3/8 nichelato	1						
19	1503.18	Sede valvola	6						
20	1202.00	Piattello valvola	6						
21	0900.30	Molla valvola	6						
22	0604.05	Gabbia valvola	6						
23	1802.03	Vite M8x18	8						
24	0500.61	Flangia chiusa	1						
25	0601.63	"O" Ring Ø1.78x60.05	2						
26	0200.06	Cuscinetto a rulli 33205	2						
27	0006.17	Albero semplice P.d.F.	1	◆				◆	
	0006.19	" " "	1		◆				
	0006.14	" " "	1			◆			
	0006.16	" " "	1				◆		
	0006.18	" " "	1						◆
28	0206.04	Chiavetta	1						
29	1600.02	Tappo livello olio	1						
30	0001.02	Anello radiale	1						
31	0301.02	Distanziale	1						
32	0500.60	Flangia	1						
*33	0302.19	Dado pistone	3						
*34	1400.12	Rosetta rame Ø 11.2/15x0.5	3						
*35	1200.10	Pistone Ø20	3						
*36	1400.15	Rosetta rame Ø 11.3/24x0.5	3						
*37	0601.03	"O" Ring Ø1.78x7.66	3	◆	◆	◆	◆	◆	◆
*38	0009.04	Anello antiestrusione	3						
*39	0003.28	Asta pistone	3						
*40	0100.01	Biella	3						
*41	1502.06	Spinotto	3						
*42	1401.02	Rosetta elastica Ø6	6						
*43	1801.05	Vite M6x25	6						
44	0601.88	"O" Ring Ø 2.62x126.67	1						
45	0203.59	Coperchio posteriore	1						
46	0601.14	"O" Ring Ø1.78x14	1						

Pos.	Codice	Descrizione	Q.tà per Pompa	NMT1220SCWR/L	NMT1520SCWR/L	NMT1220CWR/L	NMT1520CWR/L	NMT1820CWR/L	NMT2120CWR/L
47	0700.05	Spia livello olio G3/4	1						
48	1801.12	Vite M6x16	4	◆	◆	◆	◆	◆	◆
49	1601.17	Tappo G3/8	1						

  Particolare disponibile  
solo in kit

  Particolare disponibile  
anche in kit

### KIT RICAMBI

Posizioni incluse	Codice e descrizione	Q.tà per pompa	NMT1220SCWR/L	NMT1520SCWR/L	NMT1220CWR/L	NMT1520CWR/L	NMT1820CWR/L	NMT2120CWR/L
3- 5- 7	2601.23 Guarnizioni pistone Ø20	1						
3- 4- 5- 6- 7	2601.24 Pacco completo Guarnizioni pistone Ø20	3						
33- 34- 35- 36- 37 38	2601.07 Pistone Ø20	3						
11- 12- 13	2600.08 Valvola completa	6	◆	◆	◆	◆	◆	◆
2	2608.03 Anelli tenuta olio Asta	1						
3- 4- 5- 6- 7- 8- 9 10- 11- 12- 13- 14 17- 18	2600.96 Testata Completa	1						
39- 40- 41- 42- 43	3100.13 Premontato Biella-Asta pistone	3						