

H300A
H300AR

HAWK

Pompe MT-A serie 2003

MT-A pumps 2003 series

PARTS LIST

HAWK pumps H300 series

Item Pos.	Part Number Codice	Description	Descrizione	Q.ty/Pump Q.tà/Pompa	H300A	H300AR
1	0202.11	Crankcase	<i>Carter</i>	1		
2	0602.01	Plunger guide	<i>Guida asta pistone</i>	3		
*3	0001.03	Plunger oil seal	<i>Anello radiale</i>	3		
*4	0601.07	"O" Ring Ø1.78x31.47	<i>"O" Ring Ø1.78x31.47</i>	3		
*5	0002.31	"U" seal, dia.20mm	<i>Anello tenuta "U" Ø20</i>	6		
*6	1201.23	Pressure ring 20mm	<i>Pressore Ø20</i>	3		
*7	0300.36	Support ring 20mm	<i>Diffusore Ø20</i>	6		
*8	0300.35	Intermed. ring 20mm	<i>Diffusore Interm. Ø20</i>	3		
9	0009.23	Teflon ring	<i>Anello antiestrusione</i>	3		
10	1601.17	Brass plug G3/8	<i>Tappo G3/8</i>	3		
11	0603.06	Copper washer	<i>Guarnizione rame</i>	2		
12	1602.04	Manifold housing	<i>Testata</i>	1		
*13	0601.19	"O" Ring Ø2.62x17.13	<i>"O" Ring Ø2.62x17.13</i>	6	®	®
*14	3604.70	Valve assembly	<i>Valvola premontata</i>	6		
*15	0601.65	"O" Ring Ø2.62x20.29	<i>"O" Ring Ø2.62x20.29</i>	6		
16	1601.30	Valve plug	<i>Tappo valvola</i>	6		
17	1801.04	Manifold stud bolt	<i>Vite M8x65</i>	8		
18	1400.01	Washer	<i>Rosetta Ø8.5</i>	8		
19	1503.18	Valve seat	<i>Sede valvola</i>	6		
20	1202.00	Valve plate	<i>Piattello valvola</i>	6		
21	0900.30	Valve spring	<i>Molla valvola</i>	6		
22	0604.05	Valve cage	<i>Gabbia valvola</i>	6		
23	1400.02	Washer	<i>Rosetta Ø6.4</i>	8		
24	1802.07	Hexagonal screw	<i>Vite M6x18</i>	8		
25	0500.27	Bearing housing	<i>Flangia</i>	Ú	2	1
26	0500.29	Closed bearing housing	<i>Flangia chiusa</i>	1		®
27	0601.63	"O" Ring Ø2.62x60,05	<i>"O" Ring Ø2.62x60,05</i>	2	®	®
28	0001.02	Crankshaft seal	<i>Anello radiale</i>	Ú	2	1
29	0200.03	Roller bearing	<i>Cuscinetto a rulli</i>	2	®	®
30	0004.07	Double-ended shaft	<i>Albero doppia P.d.F.</i>	1	®	
31	0004.12	Single - ended shaft	<i>Albero semplice P.d.F.</i>	1		®
32	0206.00	Crankshaft key	<i>Chiavetta</i>	1		
33	1600.02	Oil dip stick	<i>Tappo livello olio</i>	1		
34	0301.02	Shim	<i>Distanziale</i>	1		
*35	1800.01	Plunger bolt	<i>Vite pistone</i>	3		
*36	1400.12	Copper spacer	<i>Rosetta rame</i>	3		
*37	0601.03	"O" Ring Ø1.78x7.66	<i>"O" Ring Ø1.78x7.66</i>	3		
*38	0009.04	Teflon ring	<i>Anello antiestrusione</i>	3		
*39	1200.10	Plunger 20mm	<i>Pistone Ø20</i>	3		
*40	1400.15	Copper spacer	<i>Rosetta rame</i>	3		
41	0003.01	Plunger rod	<i>Asta pistone</i>	3		
42	0100.01	Connecting rod	<i>Biella completa</i>	3	®	®
43	1502.01	Connecting rod pin	<i>Spinotto</i>	3		
44	1801.05	Connecting rod screw	<i>Vite M6x25</i>	6		
45	1500.01	Snap ring	<i>Anello Ø10</i>	6		
46	1401.02	Spring washer	<i>Rosetta elastica Ø6</i>	6		
47	0600.09	Cover gasket	<i>Guarnizione coperchio</i>	1		
48	0203.17	Crankcase cover	<i>Coperchio</i>	1		
49	0603.02	Gasket, G3/8	<i>Guarnizione G3/8</i>	1		
50	0700.01	Sight glass, G3/8	<i>Spia livello olio G3/8</i>	1		
51	1801.12	Cover screw	<i>Vite M6x16</i>	5		

		Part available in kit only
--	--	-------------------------------

*Particol. disponibile
solo in kit*

*		Part available in kit also
---	--	-------------------------------

*Particol. disponibile
anche in kit*

SPARE PARTS KIT

Item <i>Posizioni</i>	Part Number & Description	<i>Codice e Descrizione</i>	Q.ty/Pump <i>Q.tà/Pompa</i>	H300A	H300AR
4- 5- 7- 9	2629.04 Plunger Seals 20mm	<i>2629.04 Guarnizioni "U"pistone Ø20</i>	1		
3- 4- 5- 6- 7- 8 9	2629.00 Complete Seals Packing 20mm	<i>2629.00 Pacco completo Guarnizioni "U" pistone Ø20</i>	3		
35- 36- 37- 38 39- 40	2608.02 Plunger 20mm	<i>2608.02 Pistone Ø20</i>	3	®	®
13- 14- 15	2600.08 Complete Valve	<i>2600.08 Valvola completa</i>	6		
3	2608.03 Plunger oil Seals	<i>2608.03 Anelli tenuta olio Asta</i>	1		

H300 Serie 2003 Series

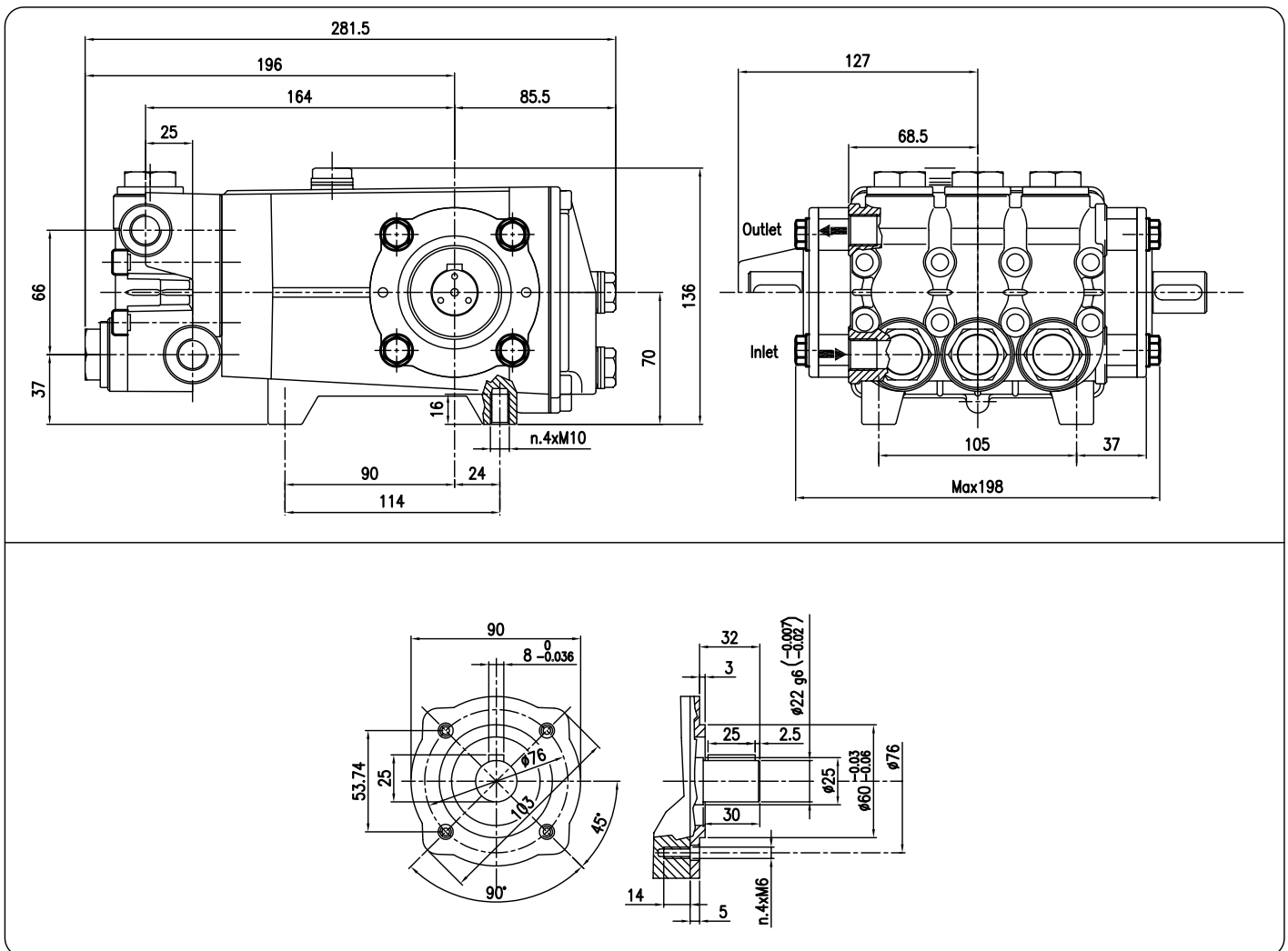
Caratteristiche Tecniche

Technical Characteristics

Pump Pompe Pumpen Pompa	Pressure Pression Druck Pressione		Volume Débit Leistung Portata		RPM tours/min u.p.m. giri/min	Required HP Puissance HP Leistung HP Potenza HP	Inlet port Entrée Eingang Aspirazione	Outlet Sortie Ausgang Mandata	Weight Kg Poids Kg Gewicht Kg Peso Kg
	bar	PSI	l/min	GPM					
H300A H300AR	200	3000	12.5		1000	6.4	G 3/8	G 3/8	10
				4.0	1200	7.7			

Dimensioni d'ingombro

Overall dimensions



Lubrificazione: Olio SAE 20/40W
Capacità 0.7 Litri

Lubrication: SAE 20/40W Oil
Capacity 0.7 Litri