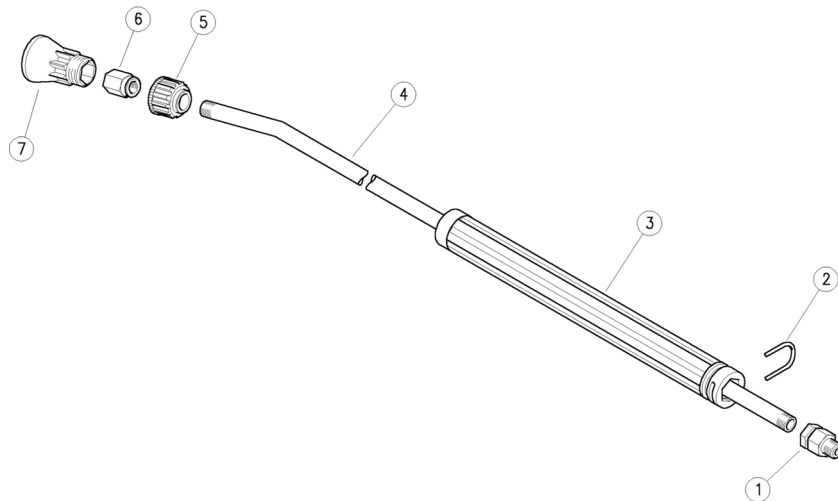


40.5705.00 R5 lan.-imp.tond.700mm inox +p/ug+prot.  
 40.5705.50 R5 700mm lan.cur.inox+pr+pu.1/8  
 40.5905.00 R5 lan.-imp.tond.900mm inox +p/ug+prot.  
 40.5905.50 R5 900inox cur+ptug.1/8  
 40.6205.00 ML lan.-imp.tond.1200mm inox +p/ug+prot.

40.6209.50 R5 1200inox cur+ptug.1/8  
 40.6505.00 ML lan.-imp.tond.1500mm inox+p/ug+prot.  
 40.6705.00 ML lan.-imp.tond.1700mm inox+p/ug+prot.  
 40.7005.00 ML lan.-imp.tond.2000mm inox+p/ug+prot.



Pos.	Codice	Descrizione	Q.tà	K1	K2	K3	K4	
1	40.5002.61	Riduz.zinc. G1/4MF	1					10
2	15.1046.00	Spina cil. 3x30 mm inox	1					10
2	40.5001.51	Cavallotto di fermo inox (1,2,3,4)	1					10
3	40.0042.84	R5 imp. isol. tonda 420mm (5)	1					5
3	40.5028.23	Impugnatura lancia ML 640mm plast. nero (1)	1					40
3	40.5032.23	Impugnatura lanc.ML 840mm plast. ne. (2,3,4)	1					10
4	40.5706.56	Tubo curvo G1/4MM 700mm inox	1					5
4	40.5906.56	Tubo curvo G1/4MM 900mm inox	1					5
4	40.6206.56	Tubo curvo G1/4MM 1200mm inox	1					5
4	40.6506.56	Tubo curvo G1/4MM 1500mm inox	1					5
4	40.6706.56	Tubo curvo G1/4MM 1700mm inox	1					3
4	40.7006.56	Tubo curvo G1/4MM 2000mm inox	1					3
5	40.0003.84	Ghiera 24TpN3 PA nera	1					10
6	40.0007.61	Portaugello G1/4F-1/4F Npt zinc.	1					10
6	40.0009.61	Portaugello G1/4F-1/8F Npt zinc. (6,7,5)	1					10
7	40.0004.85	Protezione ugello TPEs nero	1					10

(1) 40.6205.00 (2) 40.6505.00 (3) 40.6705.00 (4) 40.7005.00 (5) 40.6209.50 (6) 40.5705.50 (7) 40.5905.50