

## DOSING PUMP eOne series – type MA

### TECHNICAL FEATURES

- *Flow rate:* from 1 to 30 l/h
- *Maximum pressure:* up to 20 bar
- *Power supply range:* 100÷250 Vac – 50/60 Hz
- *Stroke rate:* from 180 to 300 impulses/min
- *Pump Head:* PVDF
- *Diaphragm:* PTFE
- *Air bleed:* Manual
- *External casing:* Reinforced PP and chemical resistant
- *Installation kit:* Included



The new range of Etatron DS Dosing Pumps, the **eOne series**, represents an important step forward. Featuring high stroke rates, low energy consumption, accuracy, repeatability and flow rate variation control in relation to pressure changes.

The eOne MA is an **analogue electromagnetic dosing pump with constant flow** driven by a microcontroller electronic board. Manual flow rate adjustment by a knob on the frontal panel. Flow rate regulation: **0 – 20% and 0 – 100%**. Proportional mode 1:1

The pump can receive a variable voltage range between **100 and 250 Vac 50/60Hz** without affecting performance. The standard version has the pump head made entirely of **PVDF**, polymer highly resistant, with all sealings in **TFE/P**, which is a new elastomer compatible with a wide variety of chemicals, both acidic and alkaline.

All “**eOne**” pumps are equipped with manual air bleed pump head, except for the models 2007 and 3005.

The pump is supplied with an installation kit made of PVDF-TFE/P injection valve, PVDF-TFE/P foot filter, PE discharge tube, PVC suction tube, wall mounting plate with plugs and screws.

## DOSING PUMP eOne series – type MA

### CONFIGURATIONS

| MODELS       |  |                       |  |  |  |
|--------------|--|-----------------------|--|--|--|
| <b>PEU45</b> | Analogue manual dosing pump. Adjustable flow. Flow rate regulation 0-20% and 0-100%. Proportional mode 1:1. Level control setting. UNDERLOAD – suction alarm, OVERLOAD – discharge alarm |                       |  |  |  |
| FEATURES     |  |                       |  |  |  |
| Version      | Flow rate<br>l/h – (US gal/h)  | Pressure<br>Bar (PSI) |  |  |  |
| <b>389</b>   | 0110   | 1.0 (0.26)            | 10 (145)                                   |  |  |
| <b>391</b>   | 0216   | 2.0 (0.52)            | 16 (232)                                   |  |  |
| <b>392</b>   | 0420   | 4.0 (1.04)            | 20 (290)                                   |  |  |
| <b>393</b>   | 0607   | 6.0 (1.58)            | 7 (101)                                    |  |  |
| <b>394</b>   | 0710   | 7.0 (1.86)            | 10 (145)                                   |  |  |
| <b>395</b>   | 1012   | 10.0 (2.64)           | 12 (174)                                   |  |  |
| <b>396</b>   | 1505   | 15.0 (3.96)           | 5 (72)                                     |  |  |
| <b>397</b>   | 2007   | 20.0 (5.28)           | 7 (101)                                    |  |  |
| <b>386</b>   | 3005   | 30.0 (7.91)           | 5 (72)                                     |  |  |
| OPTIONS      |  |                       |  |  |  |
| <b>41</b>    | PVDF pump head and installation kit, TFE/P sealings  |                       |  |  |  |
| <b>PEU45</b> | <b>394</b>   | <b>41</b>             | EONE MA 0710 100/250V PVDF-TFE/P pump head |  |  |

### INSTALLATION KIT

- PVDF Injection Valve
- PVDF Foot Filter
- PE tube (2m)
- PVC CRYSTAL tube (4m)
- wall mounting plate
- 4 plugs and screws
- Instruction manual

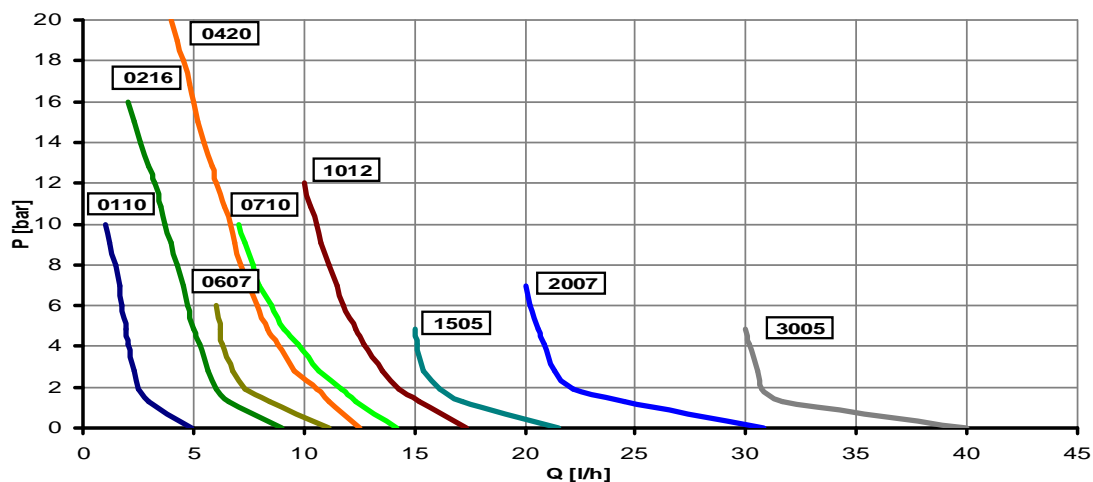
### INPUTS

- Level probe
- 1:1 watermeter signal

## DOSING PUMP eOne series – type MA

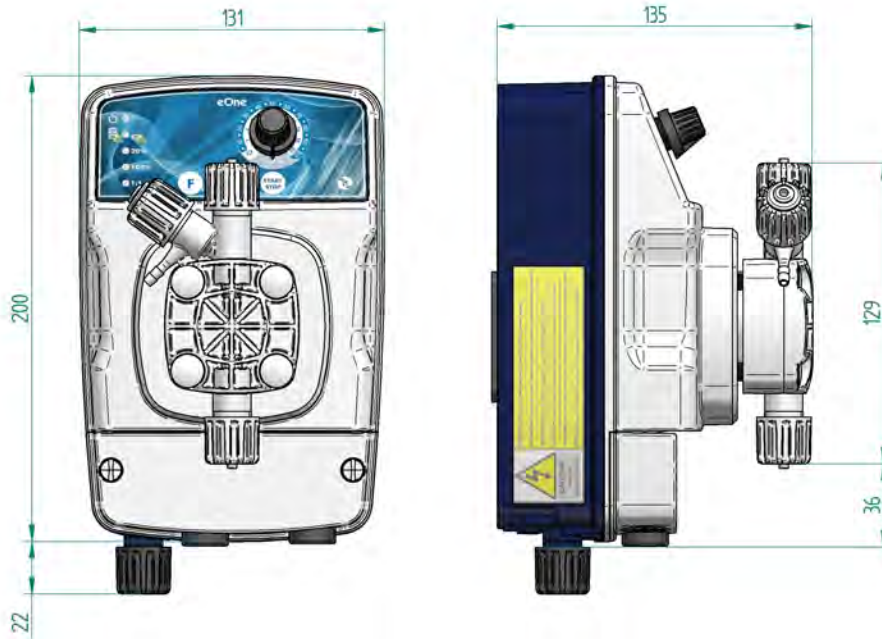
### PUMP TECHNICAL DETAILS

| Model | Flow rate<br>l/h - (US gal/h) | Pressure<br>bar – (psi) | Injection<br>volume<br>[cc] | Max<br>frequency<br>[imp/min] | Connections<br>[mm] | Power supply                | Power<br>Consumption<br>Min / Max<br>[W] |
|-------|-------------------------------|-------------------------|-----------------------------|-------------------------------|---------------------|-----------------------------|--|
| 0110  | 1.0 (0.264)                   | 10 (145)                | 0.09                        | 180                           | 4 / 6               | 100 ÷ 250 Vac<br>50 – 60 Hz | 5 / 23                                   |
|       | 1.8 (0.475)                   | 6 (87)                  | 0.16                        |                               |                     |                             |  |
|       | 2.5 (0.660)                   | 2 (29)                  | 0.23                        |                               |                     |                             |  |
| 0216  | 2.0 (0.528)                   | 16 (232)                | 0.11                        | 300                           | 4 / 6               | 100 ÷ 250 Vac<br>50 – 60 Hz | 7 / 26                                   |
|       | 3.8 (1.008)                   | 10 (145)                | 0.21                        |                               |                     |                             |  |
|       | 5.1 (1.354)                   | 6 (73)                  | 0.29                        |                               |                     |                             |  |
| 0607  | 6.0 (1.584)                   | 7 (102)                 | 0.33                        | 300                           | 4 / 6               | 100 ÷ 250 Vac<br>50 – 60 Hz | 5 / 23                                   |
|       | 6.3 (1.674)                   | 4 (58)                  | 0.35                        |                               |                     |                             |  |
|       | 7.3 (1.930)                   | 2 (29)                  | 0.41                        |                               |                     |                             |  |
| 0420  | 4.0 (1.056)                   | 20 (290)                | 0.22                        | 300                           | 4 / 6               | 100 ÷ 250 Vac<br>50 – 60 Hz | 10 / 32                                  |
|       | 6.0 (1.584)                   | 12 (174)                | 0.33                        |                               |                     |                             |  |
|       | 7.3 (1.930)                   | 8 (116)                 | 0.40                        |                               |                     |                             |  |
| 0710  | 7.0 (1.859)                   | 10 (145)                | 0.39                        | 300                           | 4 / 6               | 100 ÷ 250 Vac<br>50 – 60 Hz | 7 / 26                                   |
|       | 8.5 (2.244)                   | 6 (87)                  | 0.47                        |                               |                     |                             |  |
|       | 11.7 (3.081)                  | 2 (29)                  | 0.65                        |                               |                     |                             |  |
| 1012  | 10.0 (2.640)                  | 12 (174)                | 0.56                        | 300                           | 4 / 6               | 100 ÷ 250 Vac<br>50 – 60 Hz | 10 / 32                                  |
|       | 11.8 (3.113)                  | 6 (87)                  | 0.66                        |                               |                     |                             |  |
|       | 14.3 (3.765)                  | 2 (29)                  | 0.79                        |                               |                     |                             |  |
| 1505  | 15.0 (3.960)                  | 5 (73)                  | 0.83                        | 300                           | 4 / 6               | 100 ÷ 250 Vac<br>50 – 60 Hz | 7 / 26                                   |
|       | 15.4 (4.068)                  | 3 (44)                  | 0.86                        |                               |                     |                             |  |
|       | 17.2 (4.541)                  | 1 (15)                  | 0.96                        |                               |                     |                             |  |
| 2007  | 20.0 (5.280)                  | 7 (102)                 | 1.11                        | 300                           | 6 / 8               | 100 ÷ 250 Vac<br>50 – 60 Hz | 10 / 35                                  |
|       | 21.3 (5.623)                  | 3 (44)                  | 1.18                        |                               |                     |                             |  |
|       | 28.2 (7.445)                  | 0.5 (7)                 | 1.57                        |                               |                     |                             |  |
| 3005  | 30.0 (7.910)                  | 5 (72)                  | 1.66                        | 300                           | 6 / 8               | 100 ÷ 250 Vac<br>50 – 60 Hz | 10 / 35                                  |
|       | 30.8 (8.118)                  | 2 (44)                  | 1.71                        |                               |                     |                             |  |
|       | 36.5 (9.636)                  | 0.5 (7)                 | 2.03                        |                               |                     |                             |  |

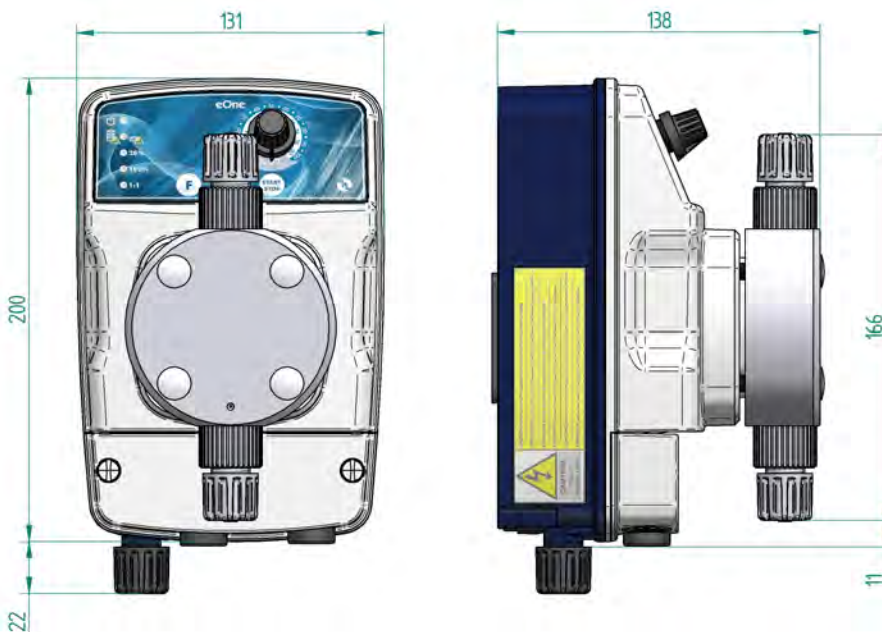


## DOSING PUMP eOne series – type MA

### DIMENSIONS



Models: 0110, 0216, 0420, 0607, 0710, 1012, 1505



Models: 2007 and 3005