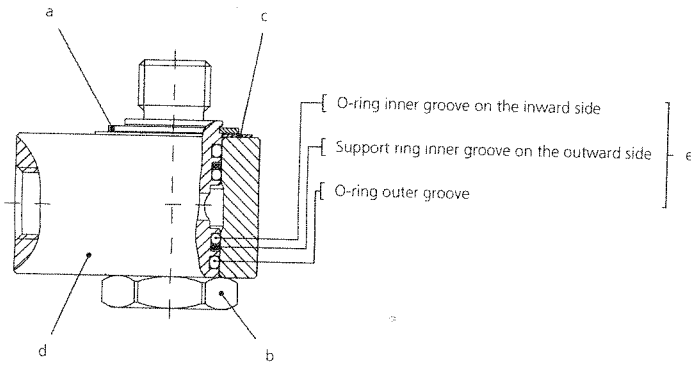
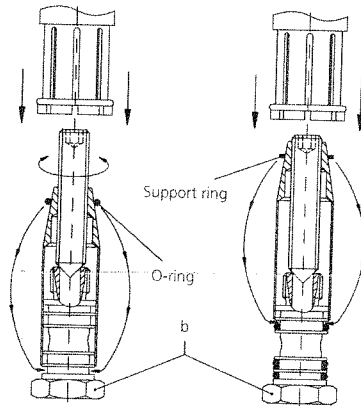
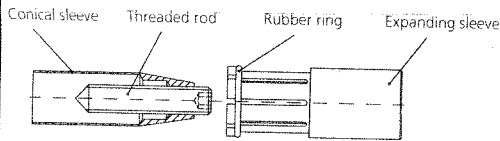


Service instruction (Seal kit Part No.: 40.502 / 40.503)



Seal service set $\varnothing 18$ / NW 1/4" (Part No.: V-1346)

Seal service set $\varnothing 22$ / NW 3/8" + 1/2" (Part No.: V-1347)



1. Remove the snap ring (a) and the washer (c) from the hollow bolt (b). (Mosmatic Ceiling booms come without the parts a + c).
 2. Remove the hollow bolt (b) from the swivel housing (d). (Ceiling booms: loosen and carefully unscrew).
 3. Remove all the O-rings and support rings (e) from the hollow bolt (b).
- Warning:** do not damage the surface of the hollow bolt (b).
4. Thoroughly clean the hollow bolt (b) and the inside of the swivel housing (d). If worn out (grooves or scratch marks), replace the swivel with a new one.
 5. Mount the new seal kit (e) with seal service set. The support rings must be positioned in the inner grooves on the outward side, the O-rings on the inward side. In both outer grooves are O-rings only.
 6. Thoroughly grease the hollow bolt (b) and the inside of the swivel housing (d).
 7. Carefully insert the hollow bolt (b) into the bore of the swivel housing (d).
- Warning:** Do not damage the seals.
8. Install the washer (c) and the snap ring (a).

Mosmatic Swivels

should not be used on any application other than specified in our catalog. Do not pipe inlet and outlet of the swivel solid. Too high of an axial or radial loading will damage the internal bearing surfaces and can cause mechanical failure of the swivel. Use under normal operating conditions (clean, soft fluids with pH ratings between 3-12pH, minimum filtration 10 microns). Carwash applications using reclaimed fluids void warranty. Installation instructions provided are a general guideline for a safe installation. Assembly instructions do not include extensive installation information and maintenance instructions. Mosmatic Swivels should only be installed by experienced users of high pressure equipment. The responsibility for the safe and effective use of Mosmatic Swivels rests with the user. Please contact Mosmatic for further Assistance. Warranty, Terms and Conditions of Sale are not extended or modified by these instructions.

MOSMATIC AG 12.10.2011 Subject to change without notice

TD - 40500 E/A