



EQUIPAGGIAMENTI  
TECNICI  
LAVAGGIO

26.1200.40  
RACCORDO GIREVOLE SW 25  
SWIVEL SW 25

①

GB

5

05/11/08

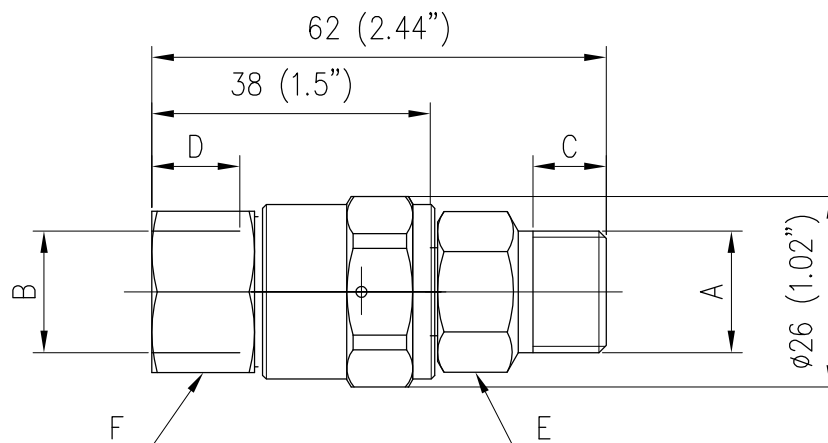
- ROBUSTA COSTRUZIONE IN OTTONE NICHELATO E ACCIAIO INOSSIDABILE.  
*STURDY CONSTRUCTION IN NICKEL BRASS AND STAINLESS STEEL.*
- DIMENSIONI COMPATTE MA CON ALTE PRESTAZIONI.  
*COMPACT DIMENSIONS WITH HIGH PERFORMANCE.*
- PROVISTO DI CUSCINETTO OBBLIQUO A SFERE INOX.  
*FITTED WITH OBLIQUE SST BALL BEARING*
- PUO' SUPPORTARE CARICHI RADIALI E ASSIALI.  
*CAN WITHSTAND RADIAL AND AXIAL LOADS.*

## CARATTERISTICHE TECNICHE SPECIFICATIONS

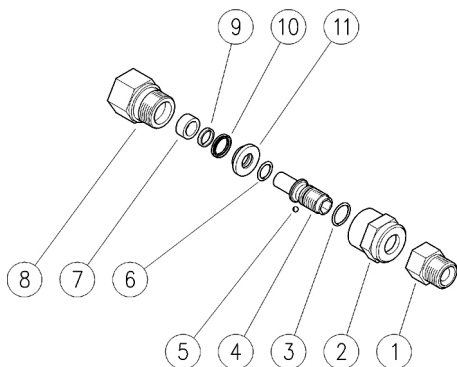
- PRESSIONE NOMINALE <i>RATED PRESSURE</i>	250 bar – 25 MPa (3650 psi)
- PRESSIONE CONSENTITA <i>PERMISSIBLE PRESSURE</i>	280 bar – 28 MPa (4050 psi)
- PORTATA MASSIMA <i>MAX FLOW RATE</i>	40 l/min (10.5 USG p.m.)
- TEMPERATURA MASSIMA DI LAVORO (UTILIZZO CONTINUO) <i>MAX WORKING TEMPERATURE (CONTINUOUS USE)</i>	90° C (194°F)
- TEMPERATURA MASSIMA AMMESSA (SOLO PER BREVI PERIODI) <i>MAX PERMISSIBLE TEMPERATURE (FOR SHORT PERIODS ONLY)</i>	100° C (212°F)
- NUMERO DI GIRI MAX <i>MAX RPM</i>	30 giri/min (30 rpm)
- COPPIA ALLA PRESSIONE NOMINALE <i>TORQUE AT RATED PRESSURE</i>	~ 0.24 Nm (2.12 Lbs.in)
- MATERIALE <i>SEALS</i>	PERNO IN ACCIAIO INOX E CORPO IN OTTONE NICHELATO <i>STAINLESS STEEL PIN AND NICKEL PLATED BRASS BODY</i>
- GUARNIZIONI <i>SEALS</i>	OR TENUTA ACQUA IN FKM (VITON) + PATTINO IN TEFLON; OR TENUTA GRASSO IN NBR (NITRILE) <i>O-RING WATER SEALS IN FKM (VITON) + TEFLON RUNNER ; O-RING GREASE SEALS IN NBR (BUNA)</i>

## MISURE D'INGOMBRO OVERALL DIMENSIONS

CODICE <i>CODE</i>	A	B	C	D	E	F
26.1200.20	G1/4 M	G1/4 F	10 [0.39"]	10 [0.39"]	ES.19 [0.75"]	ES.22 [0.87"]
26.1200.42	G1/4 M	G3/8 F	10 [0.39"]	12 [0.47"]	ES.19 [0.75"]	ES.24 [0.94"]
26.1200.22	G3/8 M	G1/4 F	10 [0.39"]	10 [0.39"]	ES.19 [0.75"]	ES.22 [0.87"]
26.1200.40	G3/8 M	G3/8 F	10 [0.39"]	12 [0.47"]	ES.19 [0.75"]	ES.24 [0.94"]
26.1200.45	G3/8 F	G3/8 F	12 [0.47"]	12 [0.47"]	ES.24 [0.94"]	ES.24 [0.94"]
26.1200.28	G3/8 F	G1/4 F	12 [0.47"]	10 [0.39"]	ES.24 [0.94"]	ES.22 [0.87"]



26.1200.20 SW25 Giunto gir.a sfere G1/4 FM  
 26.1200.22 SW25 Giunto gir.a sfere G3/8M-G1/4F  
 26.1200.28 SW25 Giunto gir.a sfere G3/8F-G1/4F

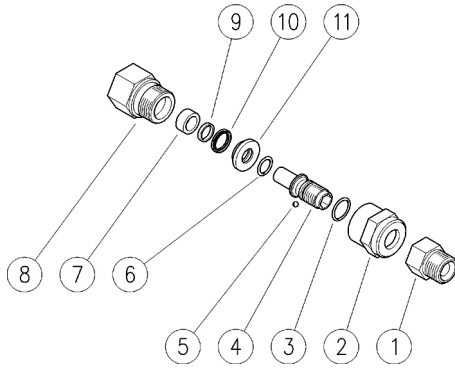


26.1200.40 SW25 Giunto gir.a sfere G3/8 MF  
 26.1200.45 SW25 Giunto gir.a sfere G3/8 FF

Pos.	Codice	Descrizione	Q.tà	K1	K2	K3	K4	
1	26.1206.31	Racc. M12x1F-G1/4M svas. ott. (1)	1					5
1	26.1203.31	Racc. M12x1F-G3/8M svas. ott. (2)	1					5
1	26.1208.31	Racc. M12x1F-G3/8F ott. (3)	1					5
1	26.1203.31	Racc. M12x1F-G3/8M svas. ott. (4)	1					5
1	26.1208.31	Racc. M12x1F-G3/8F ott. (5)	1					5
2	26.1202.51	Ghiera M20x1 inox	1					5
3	10.3005.00	An.OR 1x10 mm Ni 85	1					10
4	26.1204.51	Perno 9mm-M12x1 M inox	1					5
5	14.7403.00	Sfera 3 mm inox	13					10
6	10.3056.01	An.OR 1,78x8,74 mm Ni 85	1					10
7	30.0728.84	Boccola 9x13x6 mm plast. nera	1					10
8	26.1207.31	Racc. M20x1M-G1/4F ott. (1)	1					5
8	26.1207.31	Racc. M20x1M-G1/4F ott. (2)	1					5
8	26.1207.31	Racc. M20x1M-G1/4F ott. (3)	1					5
8	26.1201.31	Racc. G3/8 F-M20x1M ott. (4)	1					5
8	26.1201.31	Racc. G3/8 F-M20x1M ott. (5)	1					5
9	10.4155.00	Guarn. stelo 9x11x2 mm	1					10
10	10.3402.10	O-Ring 1,78x10,82 mm Vi 85	1					10
11	26.1205.31	An.rasam. 9x18,4x5,6 mm ott.	1					10

(1) 26.1200.20 (2) 26.1200.22 (3) 26.1200.28 (4) 26.1200.40 (5) 26.1200.45

26.1200.20 SW25 Swivel,ball-bear. 1/4 FM Bsp  
 26.1200.22 SW25 Swivel,ball-bear. 3/8M-1/4F Bsp  
 26.1200.28 SW25 Swivel,ball-bear. 3/8F-1/4F Bsp



26.1200.40 SW25 Swivel,ball-bear. 3/8 MF Bsp  
 26.1200.45 SW25 Swivel,ball-bearing 3/8 FF Bsp

Pos.	P/N	Description	Q.ty	K1	K2	K3	K4	
1	26.1206.31	Coupl., M12x1F-1/4M Bsp c/sunk brass (1)	1					5
1	26.1203.31	Coupl., M12x1F-3/8M Bsp c/sunk brass (2)	1					5
1	26.1208.31	Coupling, M12x1F-3/8F Bsp brass (3)	1					5
1	26.1203.31	Coupl., M12x1F-3/8M Bsp c/sunk brass (4)	1					5
1	26.1208.31	Coupling, M12x1F-3/8F Bsp brass (5)	1					5
2	26.1202.51	Ring nut, M20x1 Sst.	1					5
3	10.3005.00	O-ring, 1x10 mm Ni 85	1					10
4	26.1204.51	Pin, 9mm-M12x1 M Sst.	1					5
5	14.7403.00	Ball, 3 mm Sst.	13					10
6	10.3056.01	O-ring, 1,78x8,74 mm Ni 85	1					10
7	30.0728.84	Bushing, 9x13x6 mm plast. black	1					10
8	26.1207.31	Coupling, M20x1M-1/4F Bsp brass (1)	1					5
8	26.1207.31	Coupling, M20x1M-1/4F Bsp brass (2)	1					5
8	26.1207.31	Coupling, M20x1M-1/4F Bsp brass (3)	1					5
8	26.1201.31	Coupling, 3/8FBsp-M20x1M brass (4)	1					5
8	26.1201.31	Coupling, 3/8FBsp-M20x1M brass (5)	1					5
9	10.4155.00	Stem seal, 9x11x2 mm	1					10
10	10.3402.10	O-ring 1,78x10,82 mm Vi 85	1					10
11	26.1205.31	Shim ring, 9x18,4x5,6 mm brass	1					10

(1) 26.1200.20 (2) 26.1200.22 (3) 26.1200.28 (4) 26.1200.40 (5) 26.1200.45



P.A. S.p.A.

Via Milano, 13  
42048 Rubiera, Reggio Emilia - Italy

Tel +39.0522.623611  
Fax +39.0522.629600

info@pa-etl.it

[www.pa-etl.it](http://www.pa-etl.it)



COMPANY WITH QUALITY MANAGEMENT  
SYSTEM CERTIFIED BY DNV  
= ISO 9001 =