

WATER DRIVEN PUMP TECHNOLOGY

Operating Principle

The **HYDRAKOS D25RE** is installed directly in the water supply line, the Seko WDP pump operates by using the flow of water as the power source. The water activates the pump, which takes the required percentage of concentrate directly from the container and injects it into the water. Inside the pump, the concentrate is mixed with the water, and the water pressure forces the solution downstream. The dose of concentrate will be proportional to the volume of water entering into the pump, regardless of variations in flow or pressure, which may occur in the main line.

MAIN SPECIFICATIONS

	D25RE020	D25RE050	D25RE100
▪ Injection Range Dosage:	0.2 – 2%	1 – 5%	3 – 10%
▪ Water Flow Range*:	10 l/h – 2.5 m ³ /h	10 l/h – 2.5 m ³ /h	10 l/h – 2 m ³ /h
▪ Operating Pressure:	0.3 – 6 bar	0.3 – 6 bar	0.3 – 4 bar
▪ Concentrated additive injection:	0.02 – 50 l/h	0.1 – 125 l/h	0.3 – 200 l/h

* For others fluids than water, please contact us

Dosing Technique: Non-electric Proportional

Energy Source: Water flow and pressure

Integrated functions:

- **Metering** - volumetric hydraulic motor
- **Injecting** - continuous proportional injection of liquid or soluble concentrate
- **Regulating** - proportionality servo-controlled by the water flow
- **Mixing** - integrate mixing

SPECIFICATIONS

General

- Maximum operating water temperature 40° C [104° F]
- Minimum operating water temperature 5° C [41° F]
- Dosing rate
D25RE020 - 0.1%
D25RE050 - 0.2%
D25RE100 - 0.5%

Other integrated functions

- Internal motor filter NA
- Inlet / Outlet ¾" Male BSPT-NPT

Motor

- Motor differential hydraulic piston
- Motor capacity 0.4 L
- Mixing chamber integrated

Dosage

- Injection internal at the Inlet

Suction

- Self-priming yes
- Maximum viscosity of concentrate 400 cPs at 20° C
- Maximum vertical or horizontal suction of concentrate 4 m [13 feet]

Standard material

- Housing Polypropylene or PVDF
- Motor piston Polypropylene, stainless steel
- Injection area Polypropylene
- O-Ring FPM, EPDM, AFLAS

Available options

- | | | |
|----------------------|--|--|
| Seals | <ul style="list-style-type: none">F (pH 1-7)E (pH 7-14)A (pH 7-14) | for Acid products, Oil or Pest control
for Alkaline products
for Alkaline concentrate products |
| Body material | <ul style="list-style-type: none">PV | Polypropylene
PVDF |
| Mixing device | <ul style="list-style-type: none">0 | Internal mixing (standard version) |

WDP - Proportional Pump

HYDRAKOS D25RE - 2.5 m³/h - 10% - 6 bar



Size

- Package size 430 x 170 x 175 mm
- Package weight 1.5 – 1.7 Kg [PP – PVDF]

Markets

- Environment - Hygiene - Water Treatment - Car washing - Metal processing - Food processing - Graphics Arts - Horticulture - Livestock

Main Applications

- Medications - Disinfecting - Cleaning - Fertigation - Phytosanitation - Lubrification - PH/TH Correction - Sanitation - Flocculation - Printing

Installation

Regulations: refer to local water regulations, prior to install your WDP pump; in order to optimize your installation, we advise as follows:

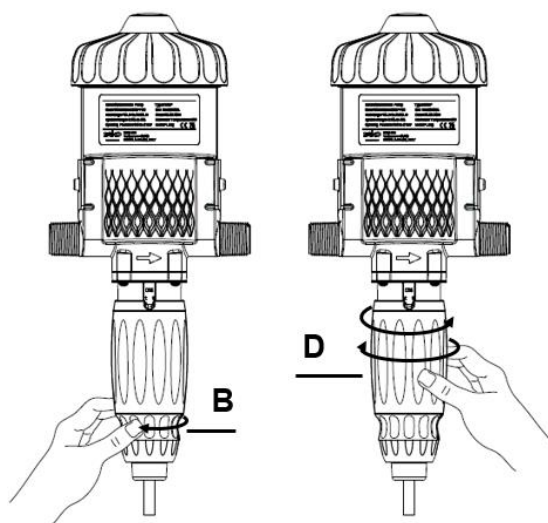
- install a filter upstream, depending on your water quality
- change the dosing seals at least once a year
- rinse as often as possible with clean water
- turn-off the water supply and allow the pressure to drop to zero before adjusting the injection rate
- install necessary protections for excess flow, excess pressure and water hammer

For all other installation advice, please contact us.

ADJUSTING THE INJECTION RATE

Adjustment must be made when there is no pressure in the pump.

- Turn off the water supply and allow the pressure to drop to zero
- Unscrew the blocking ring **(B)**
- Screw or unscrew **(D)** the adjustment sleeve so as to align the upper part of the sleeve with the set dosage
- Tighten the blocking ring **(B)**



WDP - Proportional Pump

HYDRAKOS D25RE - 2.5 m³/h - 10% - 6 bar



PRODUCTS CODE

family		WDP			HYDRAKOS Water Driven Pump		
model	Water flow range [l/h]		min	max			
D25			10	2500			
Injection dosage		RE adjustable					
range dosage		%	1:				
020		2	50				
050		5	20				
100		10	10				
seals							
F	FPM	for ACID products					
E	EPDM	for ALKALINE products					
A	AFLAS						
body material							
P	Polypropylene						
V	PVDF						
mixing device							
0		internal	STANDARD				
market							
0		STANDARD					
WDP D25 RE 050 F P 0 0							

DIMENSIONS

