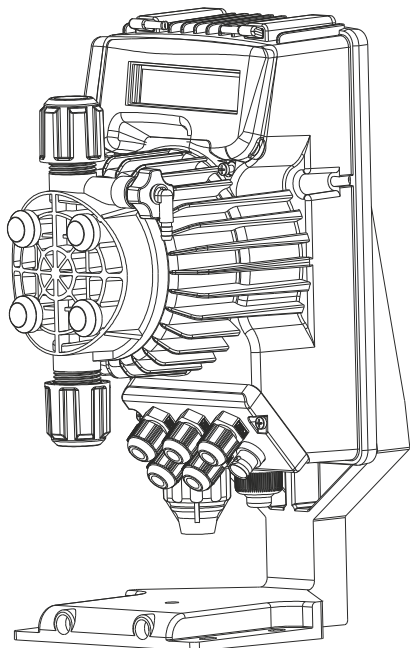


DOSING PUMP

TEKNA TPG Series – Solenoid Dosing Pump



TECHNICAL CHARACTERISTICS



- Flow rates: from 0.4 to 110 l/h
- Max back pressure: up to 20 bar
- Power supply: 100÷240V 50/60 Hz
- Stroke rate: from 120 to 300 strokes/minute
- Pump head: PVDF
- Diaphragm: PTFE
- External Enclosure: PP reinforced with fiber glass protection degree IP65
- Manually priming valve
- Installation kit: Included

Seko Tekna TPG Series is the digital interface version of APG model:

- constant flow rate manually adjustable
- proportional flow rate according to an external analogic (4-20 mA) or digital signal (water meter, 1:n or n:1)
- Timer function
- ppm proportional dosing
- Statistics
- Password
- Input On-Off (remote control)

Also with this pump, with only 5 sizes, is possible to cover a wide range of performances, having a flow rate range from 0.4 to 110 l/h and a back pressure from 0.1 to 20 bar. The power supply is 100÷240 Vac – 50/60 Hz, therefore the same pump can operate with different supply voltage. The standard pump head is in PVDF, therefore high chemical compatibility with several liquids end but is available in PVC as well, on request. Also Tekna TPG Series is equipped with a manually priming pump for the start up.

The pump is furnished with a complete standard installation kit, which includes: PVDF foot filter and injection valve, PVC suction tube, PE delivery tube. Moreover is available an installation kit in PVDF-T, on request.

The ambient temperature at the site of pump installation cannot exceed 40°C, and the relative humidity cannot be above 90%; the pump cannot be installed in a place exposed to sun or bad weather.

DOSING PUMP

TEKNA TPG Series – Solenoid Dosing Pump



KEY CODE

model

TPG Constant flow rate manually adjustable. Proportional flow rate according to an external analogic (4-20 mA) or digital signal (water meter, 1:n or n:1). Timer function, ppm proportional dosing. Statistic. Password Input ON-OFF (remote control). Available with communication via ModBus protocol.

hydraulics	Pressure [bar]	Flow rate [l/h]	Capacity [cc/stroke]	Frequency [stroke/1']	Ø Connections IN / EXT [mm]
500	20	0,4	0,06	120	4 / 7 discharge 4 / 6 suction
	16	0,8	0,11		
	10	1,2	0,17		
600	6	1,5	0,21	120	4 / 7 discharge 4 / 6 suction
	20	2,5	0,35		
	18	3	0,42		
603	14	4,2	0,58	160	4 / 6
	8	7	0,97		
	12	4	0,42		
800	10	5	0,52	300	4 / 6
	8	6	0,63		
	2	8	0,83		
803	16	7	0,38	300	8 / 12
	10	10	0,55		
	5	15	0,83		
803	1	18	1,00	300	8 / 12
	5	20	1,11		
	4	32	1,78		
	2	62	3,44		
	0,1	110	6,11		

power supply

N 100÷240 Vac 50/60 Hz

liquid end

H	PVDF	
A	PVDF - automatic degassing	NOT for 803 hydraulic
I	SS316L	

installation kit

H	PVDF	
P	PVDF-T	
X	with 1,5 bar injection valve	
0	WITHOUT kit	only for SS316L liquid end

seals

0	FKM-B	
1	EPDM	
2	PTFE	
3	FFKM	NOT for 803 hydraulic - kit with PTFE seals
B	FPM	hydraulic 603 and 800
C	EPDM	special seals for Car Wash applications

optional

0 standard

optional / customization

00 standard

TPG 800 N H H 0 0 00

DOSING PUMP

TEKNA TPG Series – Solenoid Dosing Pump



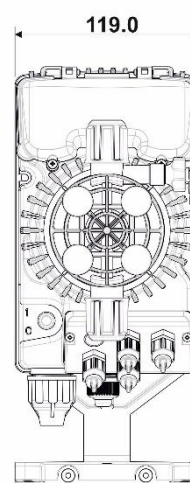
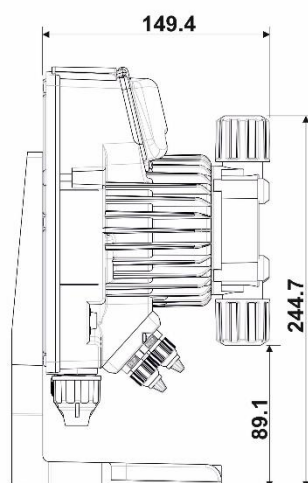
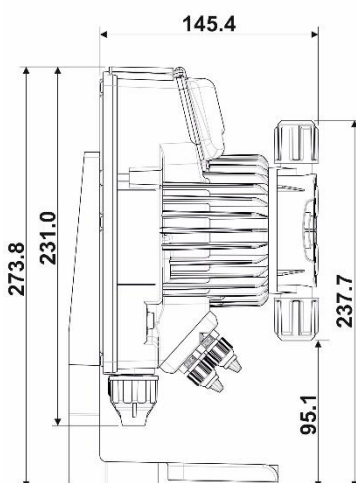
HYDRAULIC CHARACTERISTICS

Pump model	Pressure [bar]	Flow Rate [l/h]	Frequency max [stroke/min]	Stroke capacity [cc/stroke]	Connection [mm]		Power supply	Consumption [W]	
					Suction	Discharge		Min	Max
TPG 500 N	20	0,4	120	0,06	4/6	4/7	100÷240 Vac	-	-
	16	0,8		0,11					
	10	1,2		0,17					
	6	1,5		0,21					
TPG 600 N	20	2,5	120	0,35	4/6	4/7	100÷240 Vac	14,0	20,0
	18	3,0		0,42					
	14	4,2		0,58					
	8	7,0		0,97					
TPG 603 N	12	4,0	160	0,42	4/6	4/6	100÷240 Vac	15,0	22,0
	10	5,0		0,52					
	8	6,0		0,63					
	2	8,0		0,83					
TPG 800 N	16	7,0	300	0,39	4/6	4/6	100÷240 Vac	22,0	36,0
	10	10,0		0,56					
	5	15,0		0,83					
	1	18,0		1,00					
TPG 803 N	5	20,0	300	1,11	8/12	8/12	100÷240 Vac	-	-
	4	32,0		1,78					
	2	62,0		3,44					
	0	110,0		6,11					

DIMENSIONS

500 – 600 – 603 - 800

803



INSTALLATION KIT	PVDF	PVDF-T
foot filter	•	•
injection valve	•	•
PVC suction tube (4 m)	•	
PE delivery tube (2 m)	•	
Wall and base fixing bracket	•	

Your Choice,
Our Commitment

DOSING PUMP

TEKNA TPG Series – Solenoid Dosing Pump



PERFORMANCE

